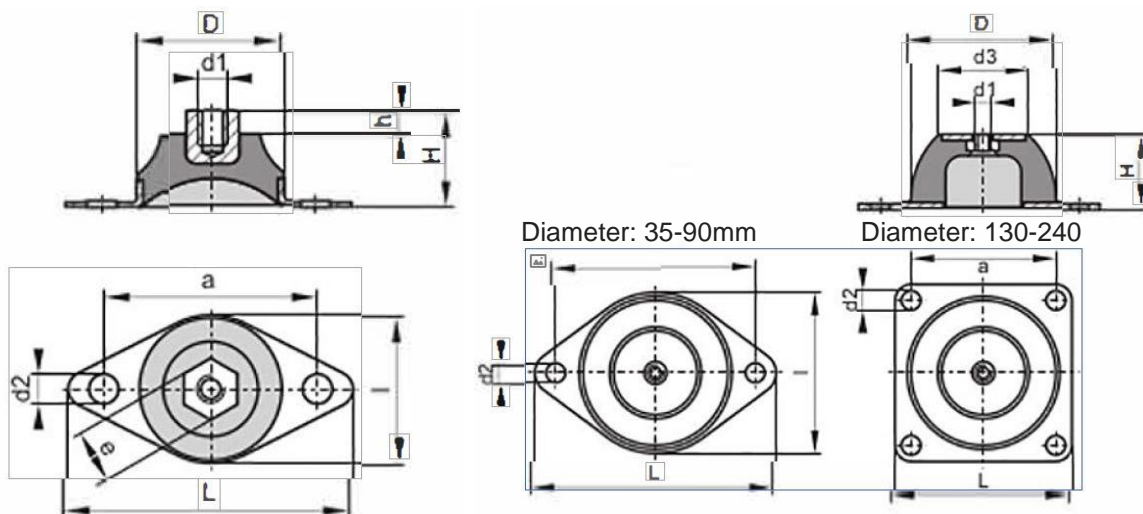


Cap elements type H1 / H2



Type	Dimensions									Load
	D [mm]	H [mm]	a [mm]	L [mm]	l [mm]	d1 [mm]	d2 [mm]	h [mm]	e / d3	F [N]
H1	30	20	45	60	35	M6	6	5	SW11	200
	45	32	70	90	50	M10	9	8	SW17	360
	70	50	105	140	80	M16	13	10	SW24	1250
H2	35	20	50	64	43	M6	7		18	90
	40	18	52	65	40	M6	6,2		20	120
	50	25	66	85	56	M8	8		33	490
	70	35	92	114	76	M10	10		45	780
	85	40	110	136	96	M10	11,5		53	1450
	90	45	124	151	101	M10	11,5		58	2150
	130	63	120	150		M12	14,5		78	4900
	180	85	160	200		M16	14,5		100	7350
240	160	250	310		M24	18		186	24500	

- 2 versions in various sizes, types of rubber and rubber hardness

- Material: Galvanized steel (standard), Stainless steel on request

- Rubber hardness: Type H1 40 ° / 55 ° / 70 ° Shore A, Type H2 40 ° / 60 ° Shore A, other types of rubber on request

- Table contains standard sizes. Other dimensions, rubber and metal finishes and rubber hardness on request.