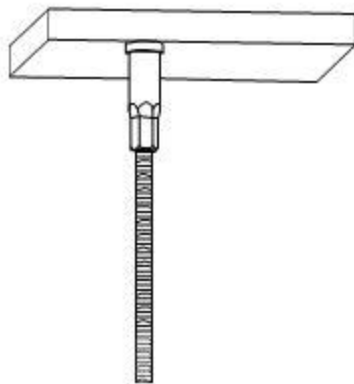


Drawn arc welding stud aluminium type VBG

Advantages:

- high welding quality
- easy to weld



Technical Data

- With thread, for ceiling or wall fastener in aluminium areas.

Dimensions:

Thread: M6, M8

Stud length L: 50 – 1000 mm

other dimensions on request

Material:

- Aluminium / galvanized steel

